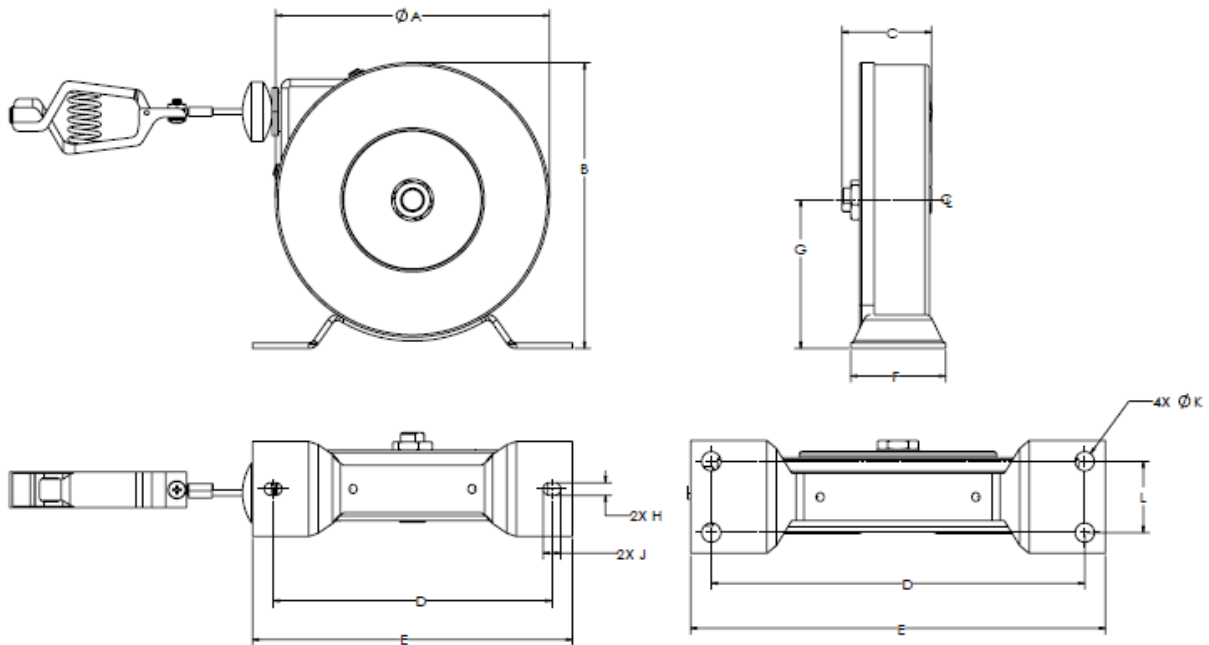


## ROTA-REEL<sup>®</sup> STATIC GROUNDING REEL

<b>PART NUMBER</b>	<b>200-20R &amp; 700-50R</b>
<b>SPEC NUMBER</b>	<b>197800 &amp; 197830</b>
<b>DESCRIPTION</b>	<b>ROTA-REEL<sup>®</sup></b>
<b>CABLE TYPE</b>	<b>.093" DIA. 7 X 7 GALVANIZED STEEL MEETS MIL SPEC MIL-DTL-83420 (SUPERCEDES MIL-W-83420)</b>
<b>CABLE LENGTH</b>	<b>20' &amp; 50'</b>
<b>TERMINATION</b>	<b>100A- MUELLER 21C JAW CLIP, US GOV'T TYPE PCL-1, FED SPEC A-A-59466 (SUPERCEDES W-C440B)</b>
<b>HOUSING</b>	<b>STEEL WITH RED POWDER COAT</b>
<b>LIFE CYCLE</b>	<b>TESTED TO 5000 CYCLES</b>



MODEL	A	B	C	D	E	F	G	H	J	K	L
<b>700-50R</b>	7.84	8	2.13	7.88	8.75	2.38	4.19	-	-	0.41	1.5
<b>200-20R</b>	5.78	6.03	1.89	5.88	6.75	2	3.13	0.27	0.38	-	-

*NOTE: Grounding & Bonding during fuel handling operations can, at best, only prevent external electrical discharge in the presence of fuel vapor. It does not remove bulk charges from the fuel and cannot prevent internal explosions. To minimize the risk, the conductivity of the fuel should be increased.*