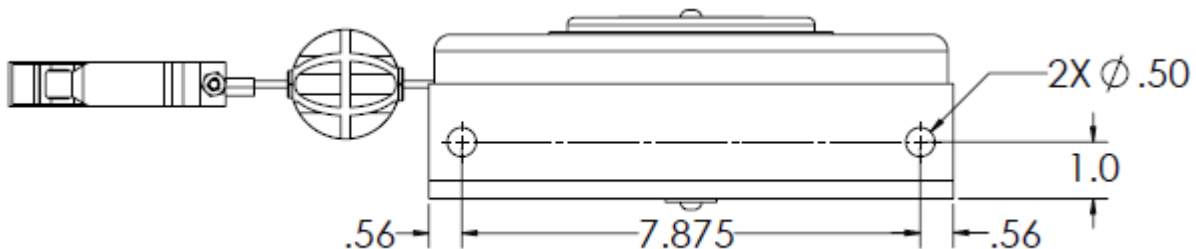
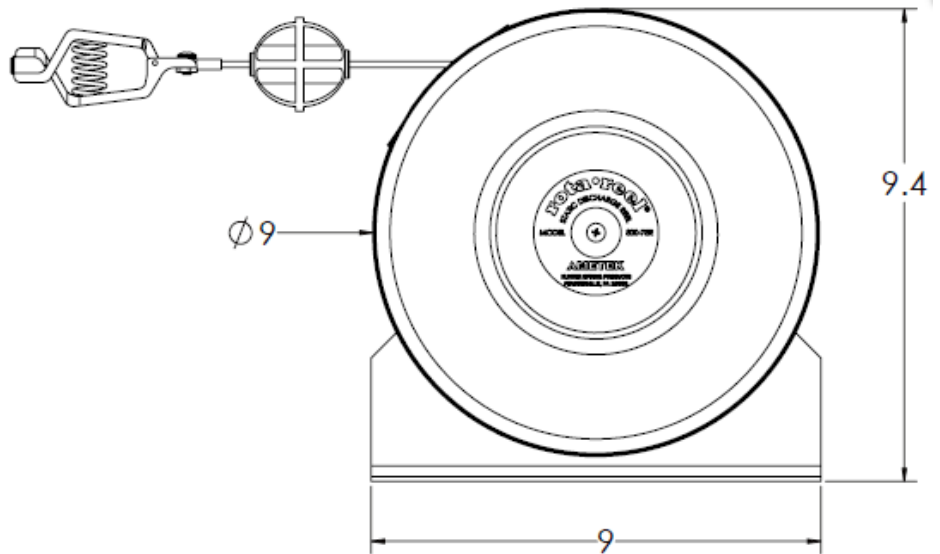
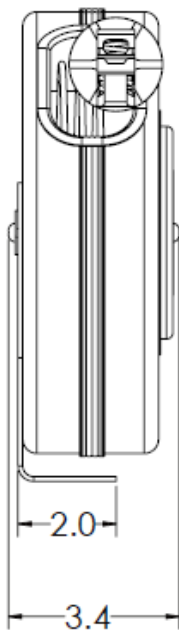


ROTA-REEL[®] 800 Series Static Grounding Reel

PART NUMBER	800-75R (75')	800-100R (100')
SPEC NUMBER	198748	198750
DESCRIPTION	ROTA-REEL[®] 800 Series Static Grounding Reel	
CABLE TYPE	1/8" Diameter, 7X7 Galvanized Steel coated with DuPont Orange Hytrel to .154" OD	
CABLE LENGTH	75' or 100'	
TERMINATION	100A- Mueller 21C Jaw Clip, US Gov't type PCL-1, FED Spec A-A-59466 (Supersedes W-C440B)	
HOUSING	Steel Red Powder Coated	
LIFE CYCLE	Tested to 5000 cycles	



NOTE: Grounding & Bonding during fuel handling operations can, at best, only prevent external electrical discharge in the presence of fuel vapor. It does not remove bulk charges from the fuel and cannot prevent internal explosions. To minimize the risk, the conductivity of the fuel should be increased.