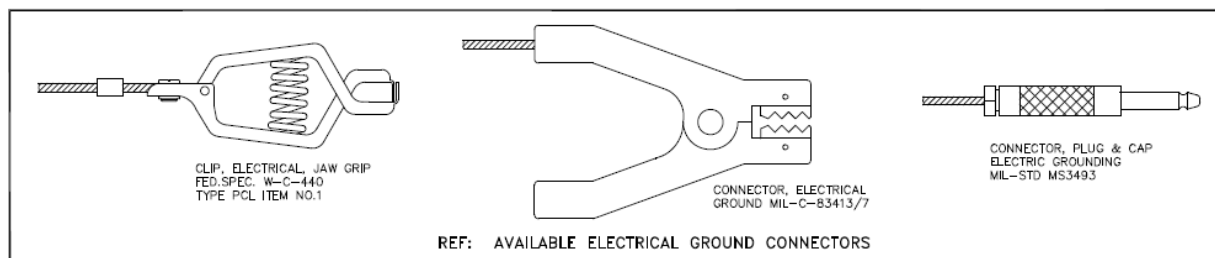
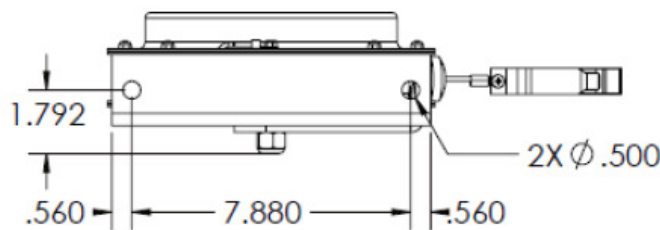
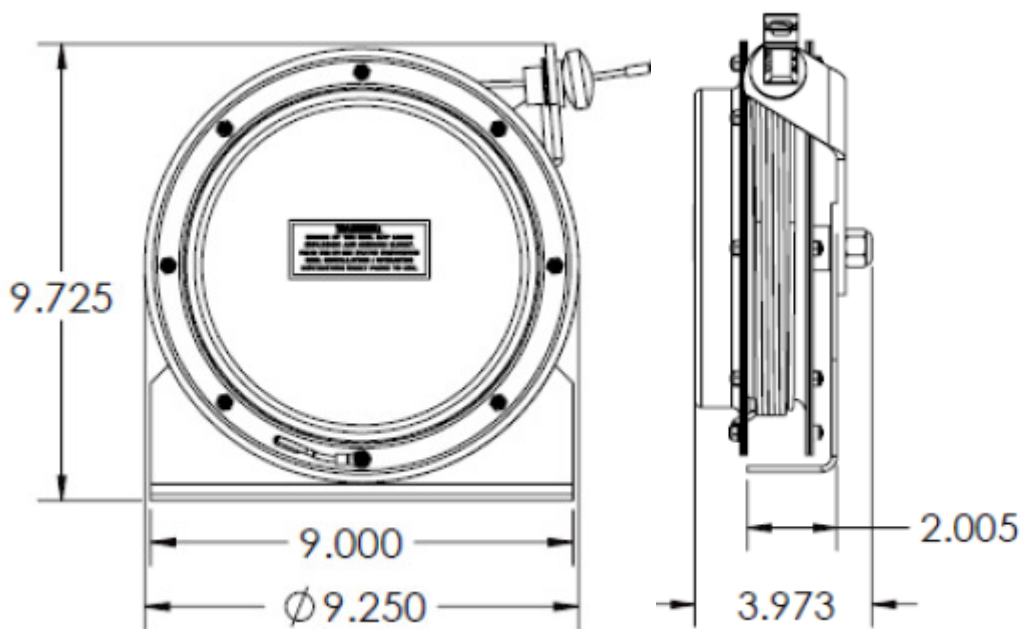




<b>Part Number</b>	<b>ML-2930-XX Series</b>
<b>Description</b>	<b>Open Static Grounding Reel</b>
<b>Cable Options</b>	<b>3/32" SST Nylon coated, Galv. Steel, Yellow Hytrel, Orange Hytrel</b>
<b>Cable Length</b>	<b>50'</b>
<b>Termination Options</b>	<b>Aluminum Alligator, Copper Jaw, Plug (Wye split cable with double connections available)</b>
<b>Electrical Resistance</b>	<b>10 OHMS Max</b>
<b>Life Cycle</b>	<b>Tested to 5,000 Cycles</b>
<b>Cable Retraction</b>	<b>2-7ft per sec</b>
<b>Finish</b>	<b>MIL-STD-808</b>
<b>Operating Temp</b>	<b>-65° TO 125°F (-54° TO 52°C)</b>



DRAWING FOR REFERENCE ONLY