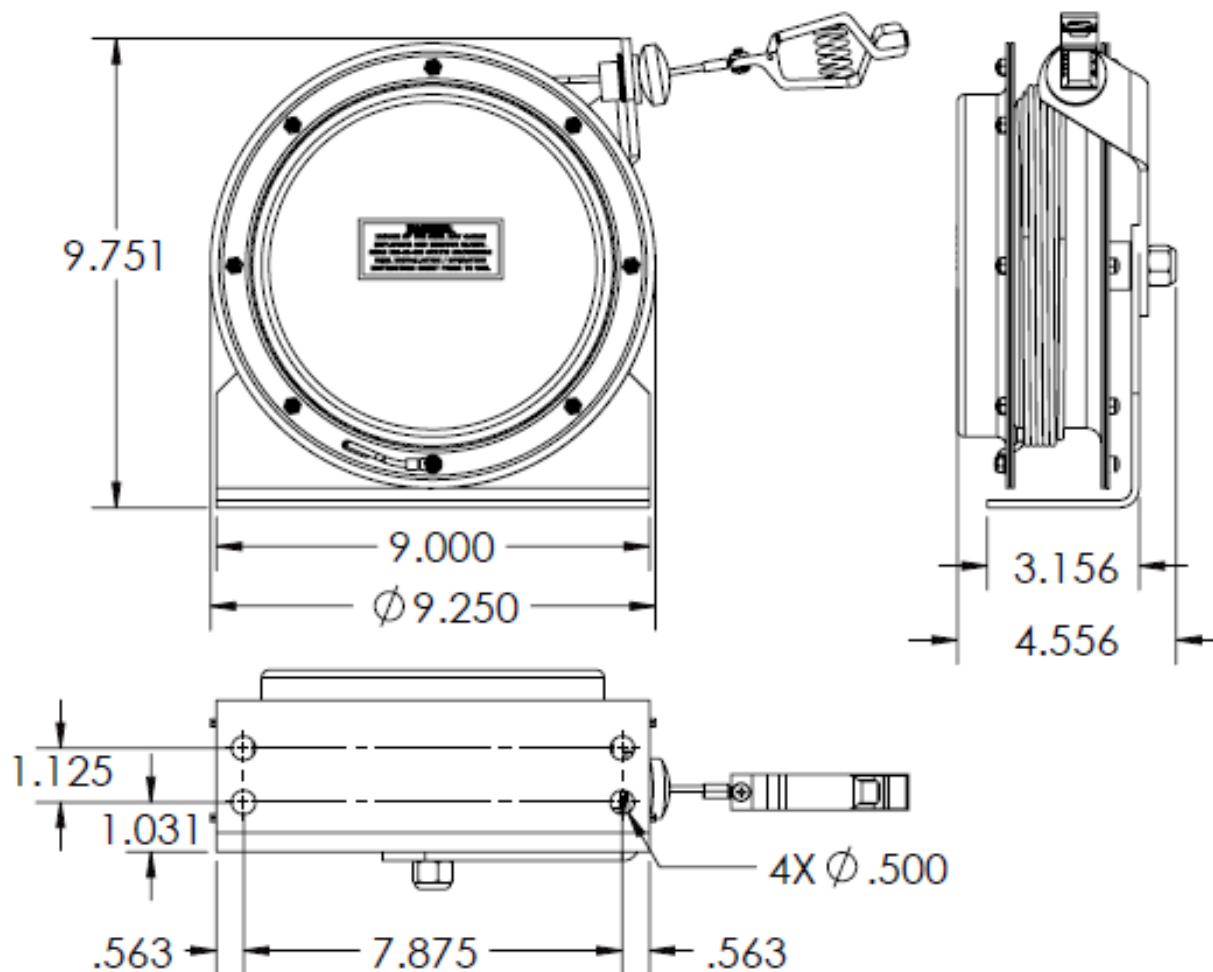




PART NUMBER	ML-3416-XX SERIES
DESCRIPTION	STATIC GROUNDING REEL FOR HEAVY DUTY APPLICATIONS
CABLE	3/32" DIA, 7 X 7 GALVANIZED STEEL, NYLON OR HYTREL JACKETED TO 1/8" DIA
CLAMP	100 AMP ALIUMINUM GATOR CLAMP or COPPER JAW CLIP
ELECTRICAL RESISTANCE	10 OHMS MAX
LIFE CYCLE	TESTED TO 5,000 CYCLES
CABLE RETRACTION	2-7FT/SEC
FINISH	MIL-STD-808
OPERATING TEMP	-65° TO 125°F (-54° TO 52°C)



DRAWING FOR REFERENCE ONLY
REV 1